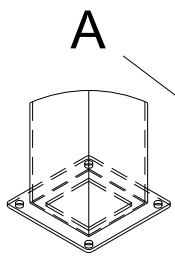
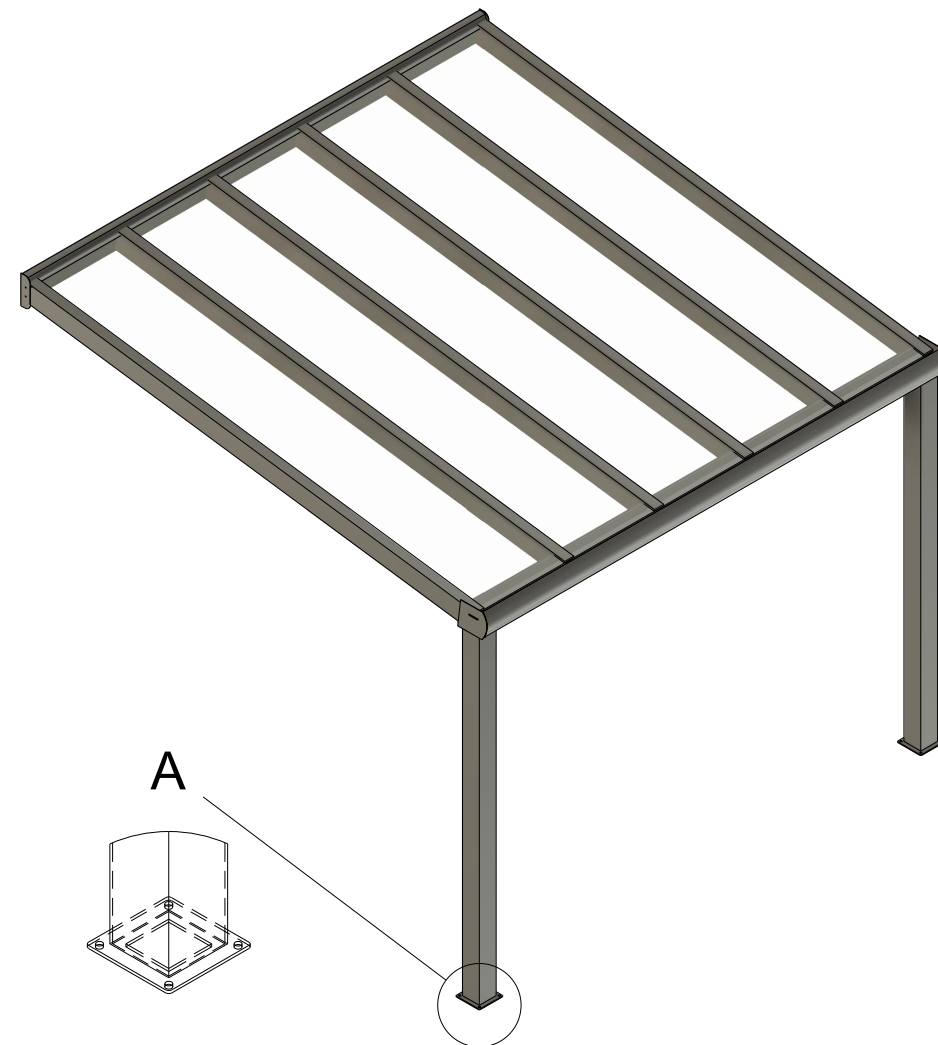
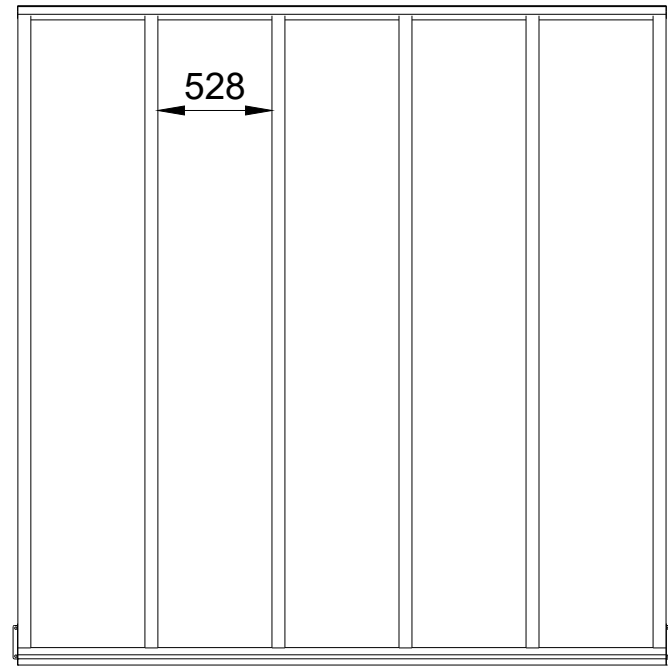
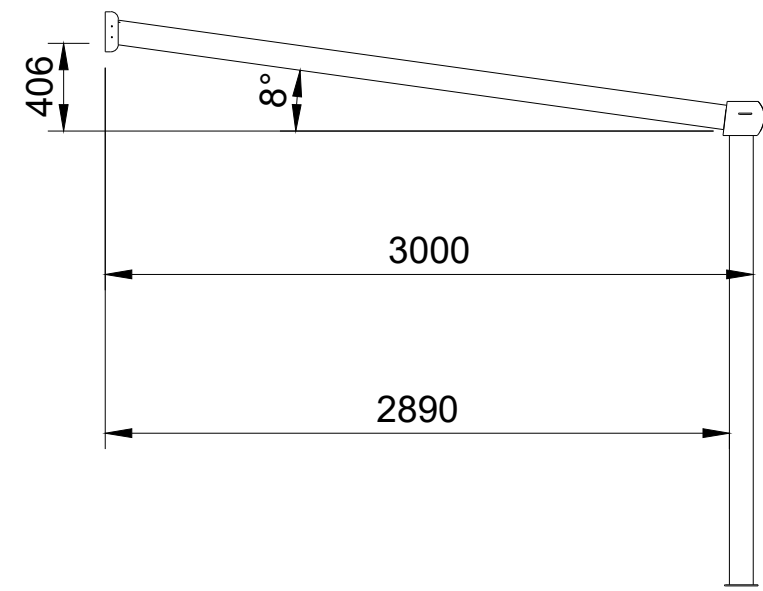
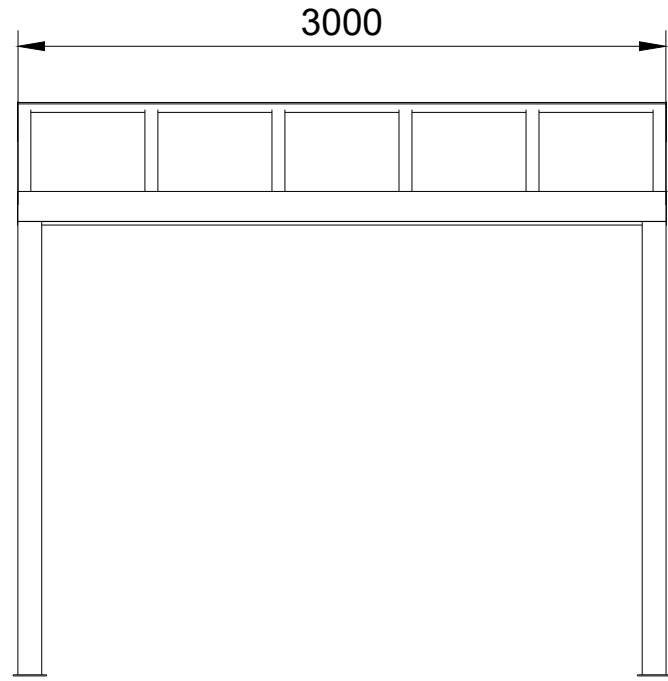


Colour	RAL7016 Grey / RAL9016 White
Roof Type	6mm Clear Toughened Glass
Length	3000mm
Projection	3000mm (to outside of post)
Front Height	Max 3000mm
Rise	406mm



Components	
Gutter	1 x 3m
Gutter Fascia	1 x 3m
Wallplate	1 x 3m
Side Beam	2 x 2.918m
Inter Beam	4 x 2.918m
Beam Topcaps	6 x 2.988m
Infill Fascia	10 x 528mm
Post	2 x 3m
Wallplate Rubber	1x3m
Wallplate Endplates	2
Gutter Endplates	2
Topcap End Cover	6
Base Plate	2
32 x 5.5mm Hex Screw	11
50 x 5.5mm Hex Screw	42
19 x 4.2mm Pan Screw	12
38 x 4.2mm Pan Screw	24
50 x 5.5mm CSK Screw	8
60mm Downpipe	1 x 4m
60mm 90° Elbow	1
Down Pipe Outlet Cover	1
Leaf Guard	1