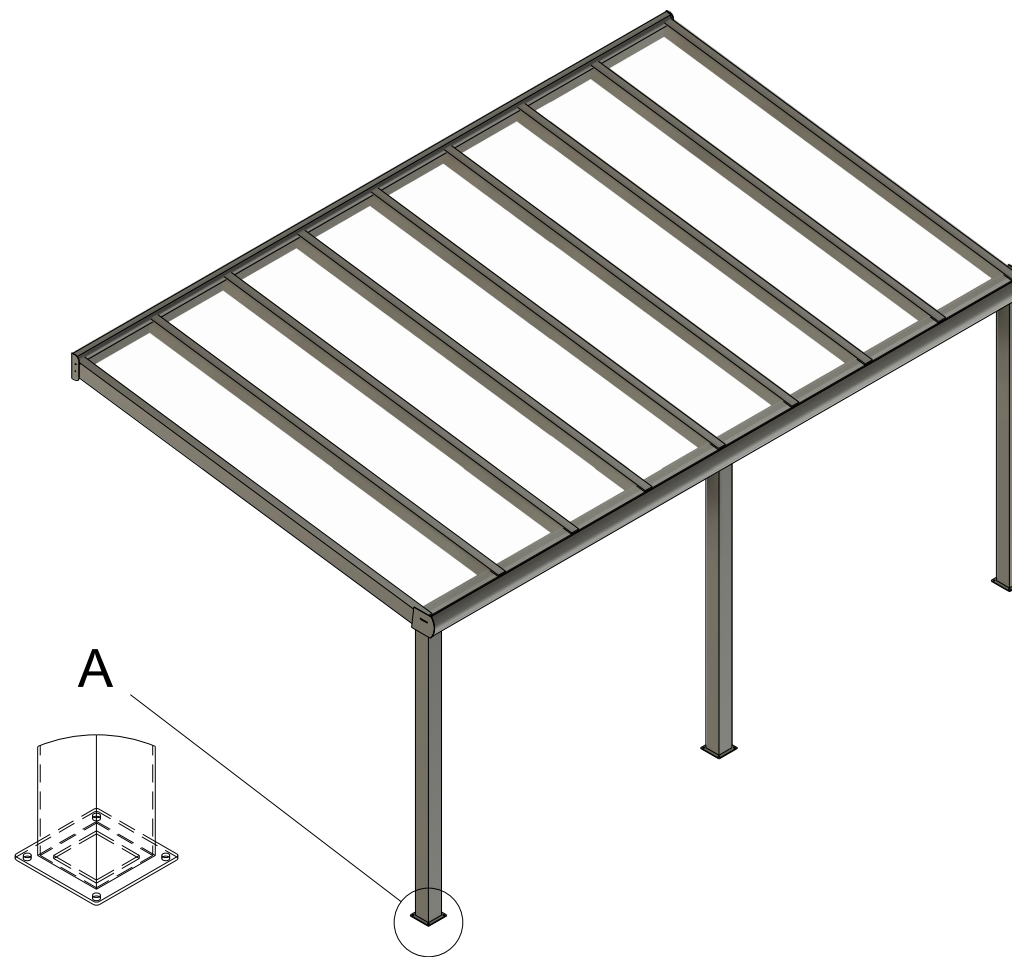
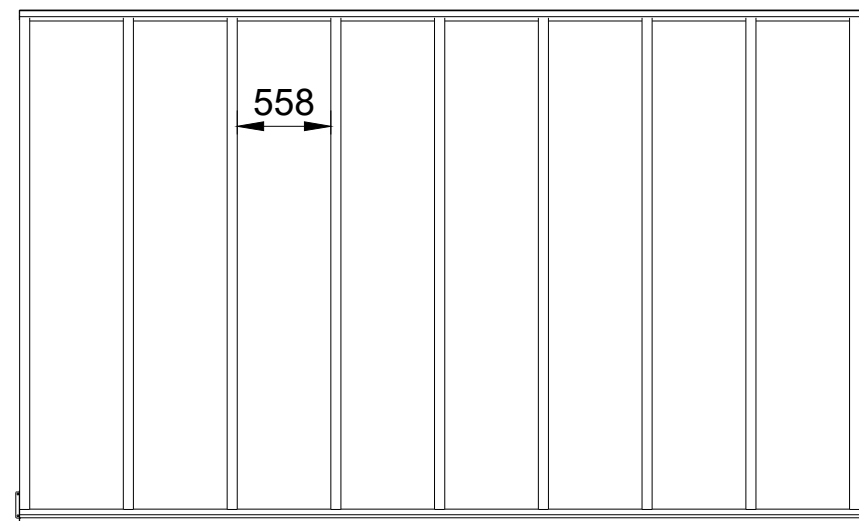


Colour	RAL7016 Grey / RAL9016 White
Roof Type	6mm Clear Toughened Glass
Length	5000mm
Projection	3000mm (to outside of Post)
Front Height	Max 3000mm
Rise	406mm



Components

Gutter	1 x 5m
Gutter Fascia	1 x 5m
Wallplate	1 x 5m
Side Beam	2 x 2.918m
Inter Beam	7 x 2.918m
Beam Topcaps	9 x 2.988m
Infill Fascia	16 x 558mm
Post	3 x 3m
Wallplate Rubber	1 x 5m
Wallplate Endplates	2
Gutter Endplates	2
Topcap End Cover	9
Base Plate	3
32 x 5.5mm Hex Screw	13
50 x 5.5mm Hex Screw	63
19 x 4.2mm Pan Screw	12
38 x 4.2mm Pan Screw	36
50 x 5.5mm CSK Screw	12
60mm Downpipe	1 x 4m
60mm 90° Elbow	1
Outlet Bung	1
Leaf Guard	1